

KLARI-ONE PLUS 1000V



with: I-PROBE, U-PROBE, I/U-PROBE, thermocouple type-K

Features

- 2-channel measuring module with 2 ASICs, 1 microcontroller and 1 PROBE-connector
- galvanical isolation of 1000 V DC between data output and PROBES
- **no** isolation between measurement points
- **PROBE variants:**
 - parallel measurement of current and voltage using a COMBI-PROBE (I/U-PROBE)
 - single channel measurement with a current-, voltage- or thermocouple-PROBE (I- or U- or thermocouple-PROBE)
- **Configuration of measurement channels:**
 - DC- and AC-measurement, internal sample rate up to 16 kHz
 - data output via 1 or 2 x CAN 2.0 A/B, resp. 8000 frames/s or 2 x 8000 frames/s as single sample or mean values
 - for AC applications calculation of true RMS values for each period and transfer via CAN interface
 - in addition the frequency/period is transferred
 - based on these results following calculations could be done:
 $S = U_{rms} * I_{rms}$
 $P = U_{rms} * I_{rms} * \cos(\Phi)$
optional : $W = P * \text{time}$

Version

- potted housing: 108/58/36 mm (L/W/H)
- protection class IP65
- temperature range -40...+85 °C
- supply 6..50 V DC

A detailed technical description is contained in our user manual.

Delivery

- measurement module (please order PROBES separately)
- PC Software for configuration via CAN or USB-2.0 interface
- CAN Database and documentation on CD ROM

Accessories

- cable harness IP65 without RS-232
- USB 2.0 connection cable

TECHNICAL DATA

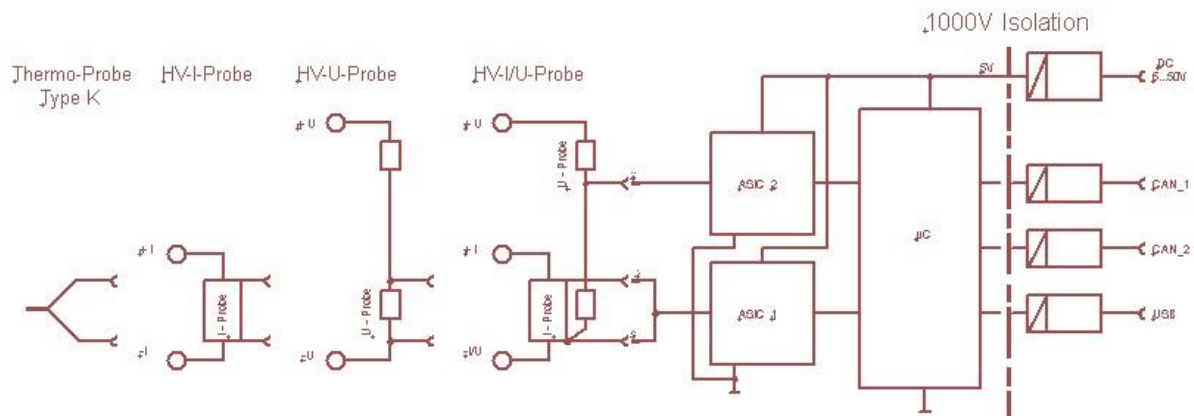
Input	<ul style="list-style-type: none"> • 2 measuring channels with an ASIC each • parallel measurement of current and voltage using a COMBI-PROBE (I/U-PROBE) • single channel measurement with current, voltage or thermocouple PROBE (I-, U- or thermocouple type K - PROBE) 																		
Resolution	<ul style="list-style-type: none"> • 5 measurement ranges with selectable autorange function • ± 15 bit/range <table border="1" style="margin-left: 40px;"> <thead> <tr> <th>Gain</th> <th>Range</th> <th>Resolution</th> </tr> </thead> <tbody> <tr> <td>100</td> <td>+/- 7,5 mV</td> <td>0,250 μV/bit</td> </tr> <tr> <td>50</td> <td>+/- 15 mV</td> <td>0,500 μV/bit</td> </tr> <tr> <td>24</td> <td>+/- 30 mV</td> <td>1 μV/bit</td> </tr> <tr> <td>6</td> <td>+/- 120 mV</td> <td>4 μV/bit</td> </tr> <tr> <td>1</td> <td>+ 720 / - 300 mV</td> <td>24 μV/bit</td> </tr> </tbody> </table>	Gain	Range	Resolution	100	+/- 7,5 mV	0,250 μ V/bit	50	+/- 15 mV	0,500 μ V/bit	24	+/- 30 mV	1 μ V/bit	6	+/- 120 mV	4 μ V/bit	1	+ 720 / - 300 mV	24 μ V/bit
Gain	Range	Resolution																	
100	+/- 7,5 mV	0,250 μ V/bit																	
50	+/- 15 mV	0,500 μ V/bit																	
24	+/- 30 mV	1 μ V/bit																	
6	+/- 120 mV	4 μ V/bit																	
1	+ 720 / - 300 mV	24 μ V/bit																	
Accuracy	<ul style="list-style-type: none"> • $\pm 1\%$ of measurement value ± 3 bit of range • valid for temperature range of - 40 .. + 85°C 																		
Sample rate	<ul style="list-style-type: none"> • single channel operation: max. 16.000 samples/s • dual channel operation: max. 2 x 16.000 samples/s 																		
Features	<ul style="list-style-type: none"> • selectable data output (CAN2.0B and/or USB-2.0 interface) • data output via CAN 1 and CAN 2 configurable (baudrate, identifier etc.) • internal CAN-termination, switchable via software • automatic PROBE-identification with calibration value processing 																		
Output	<ul style="list-style-type: none"> • 2 x CAN 2.0 A/B, (High-Speed CAN, ISO 11898) from 125 kbit/s up to max. 1 Mbit/s • USB-2.0 interface 																		
Timestamp	<ul style="list-style-type: none"> • 6.4 μs resolution (is included in CAN frame) 																		
Housing	<ul style="list-style-type: none"> • potted housing - Protection • IP65 - Weight • 350 g - Dimension • 108/58/36 (L/W/H) 																		
Supply	<ul style="list-style-type: none"> • 6,0...50 V DC 																		
Current consumption	<ul style="list-style-type: none"> • ca. 200 mA at 12 V DC 																		
Configuration	<ul style="list-style-type: none"> • via PC using CAN or USB-2.0 interface. Configurations could be created, archived and loaded into the module. • speed CAN: 125 kB...1 MB • measurement type, measuring speed, channels 																		
Modes	<ul style="list-style-type: none"> • Autorange function for all channels across all measuring ranges • Selectable sample speed for each channel • RMS calculation for AC signals 																		
Temperature range	<ul style="list-style-type: none"> • - 40...+ 85°C for the measurement module • - 40...+ 130°C for the shunt 																		
Isolation	<ul style="list-style-type: none"> • 1000 V DC permanent isolation Input <> Output. (the measurement inputs itself are not isolated.) 																		

Status January 2014. All mentioned trademarks or brands are property of the corresponding owner. Subject to error and technical changes.V1

Measurement ranges and resolutions for I- and U-PROBES (examples)

Gain	I-PROBE				U-PROBE			
	1 mΩ		200μΩ		200 V		1000 V	
	Range [A]	Res. [mA/bit]	Range [A]	Res. [mA/bit]	Range [V DC]	Res. [mV/bit]	Range [V DC]	Res. [mV/bit]
100	+/- 7,5	0,25	+/- 37,5	1,25	0...+/- 5	0,170	0...+/- 37,5	1,25
50	+/- 15	0,5	+/- 75	2,5	0...+/- 10	0,340	0...+/- 75	2,5
24	+/- 30	1	+/- 150	5	0...+/- 20	0,680	0...+/- 150	5
6	+/- 120	4	+/- 600	20	0...+/- 80	2,720	0...+/- 600	20
1	- 300/+ 720	24	- 1500/+3600	120	0...+/- 200	16,320	0...+/- 1000	120

Principle



Application

