

# KLARI-ELAST

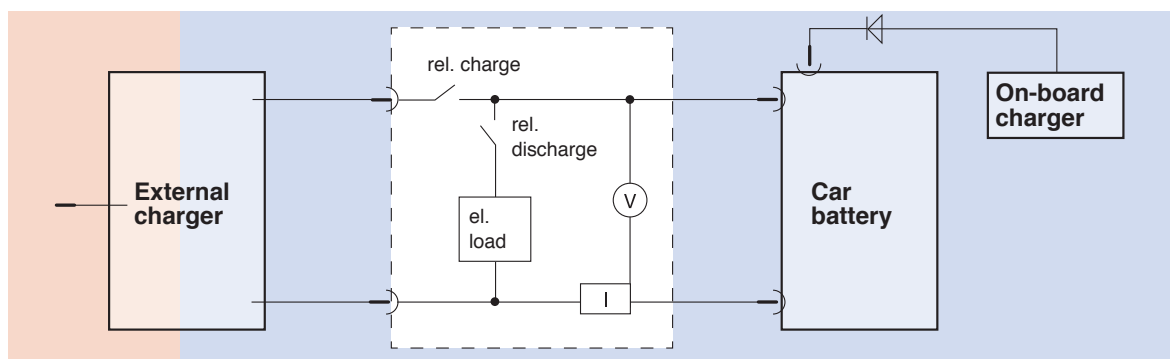
## Configurable device for charge/discharge cycles

### Charge/discharge cycles:

- Discharge by KLARI-ELAST;  
P-max = 600 Watt, (e.g. 12V/50A, U-max. = 60V DC)
- Charging by external charger

### Type of discharge:

- Current (10mA...50A); as constant current or PWM pulses
- Ah
- time



Configurable storage on SD card; output via CAN  
Analysis of the measurement with KlariViewer software